



## R Series Magnetic Drive Pumps

1/3, 1/2, 3/4, 1, 1-1/2, 2, 3 AND 5 HP

### KEY FEATURES

- Available in GFPP and Carbon Reinforced ETFE
- Seal-Less Design
- Low Friction Operation
- Easy Maintenance, No Special Tools

### OPTIONS

- Carbon Bushings
- Ceramic Bushings
- EPDM Elastomers
- 575V Motors
- Explosion Proof Motors
- Washdown Motors

### MATERIALS

- GFPP Cell Class 85580 per ASTM D4101
- ETFE

## TECHNICAL INFORMATION

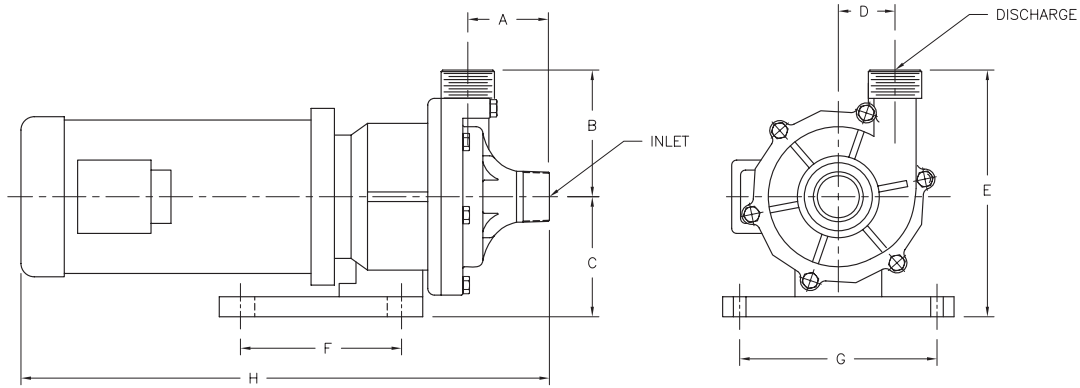
### SPECIFICATIONS

<b>PUMP HEAD</b>	Glass reinforced, thick wall, polypropylene construction. Also in ETFE.
<b>PIPE CONNECTION</b>	Threaded NPT
<b>SHAFT</b>	Ceramic with PTFE Bushing
<b>SEALS</b>	FPM
<b>PERFORMANCE</b>	Models for flow rates from 5 to 140 GPM with TDHs of up to 141 feet. R-Series pumps and motors are matched for non-overloading, continuous duty performance throughout the entire pump performance range.
<b>MOTORS</b>	Single or three phase motors available with horsepower ratings of 1/3, 1/2, 3/4, 1, 1-1/2, 2, 3 or 5 HP, 115 / 230 VAC or 208-230 / 460 VAC. Motors are heavy-duty TEFC and epoxy painted.
<b>PUMP MODELS</b>	RC03 1/3 HP, RX05 1/2 HP, RX07 3/4 HP, RX10, 1 HP, RX15 1-1/2 HP, RX20 2 HP, RX30 3HP, RX50 5HP.

# R Series Magnetic Drive Pumps

1/3, 1/2, 3/4, 1, 1-1/2, 2, 3 AND 5 HP

## TECHNICAL INFORMATION, CONTINUED

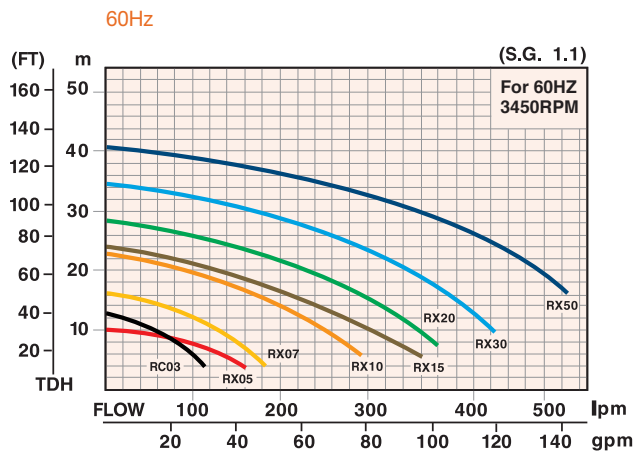


### DIMENSIONS

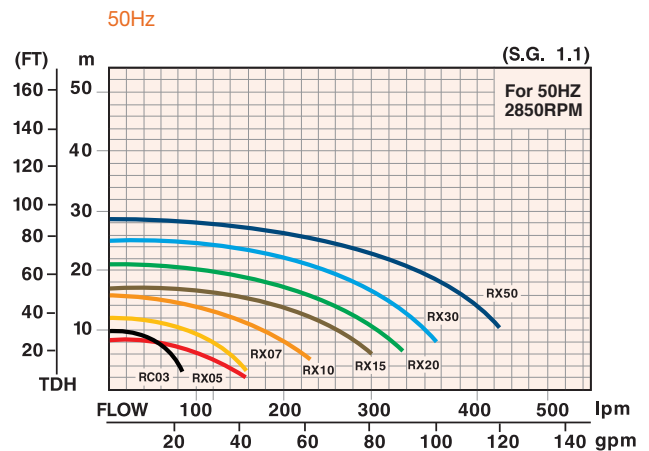
	A in / mm	B in / mm	C in / mm	D in / mm	E in / mm	F in / mm	G in / mm	H in / mm	INLET	DISCHARGE
RC03	2.52 / 64	3.94 / 100	2.95 / 75	1.73 / 44	6.89 / 175	4.33 / 110	2.76 / 70	13.82 / 351	1" MNPT	1" MNPT
RC05	3.15 / 80	4.49 / 114	4.53 / 115	2.00 / 51	9.02 / 229	5.12 / 130	5.21 / 132	20.47 / 520	1-1/2" MNPT	1-1/2" MNPT
RC07	3.15 / 80	4.49 / 114	4.53 / 115	2.00 / 51	9.02 / 229	5.12 / 130	5.21 / 132	20.47 / 520	1-1/2" MNPT	1-1/2" MNPT
RC10	3.78 / 96	5.20 / 132	4.53 / 115	2.27 / 58	9.73 / 247	5.12 / 130	5.21 / 132	20.47 / 520	1-1/2" MNPT	1-1/2" MNPT
RC15	3.15 / 80	5.44 / 138	4.53 / 115	2.56 / 65	9.97 / 253	7.88 / 200	8.20 / 208	23.50 / 597	2" MNPT	1-1/2" MNPT
RC20	3.15 / 80	5.44 / 138	4.53 / 115	2.56 / 65	9.97 / 253	7.88 / 200	8.20 / 208	23.50 / 597	2" MNPT	1-1/2" MNPT
RC30	3.15 / 80	5.44 / 138	4.53 / 115	2.56 / 65	9.97 / 253	7.88 / 200	8.20 / 208	23.50 / 597	2" MNPT	1-1/2" MNPT
RC50	3.15 / 80	5.44 / 138	5.32 / 135	2.56 / 65	10.76 / 273	10.28 / 261	9.06 / 230	24.15 / 613	2" MNPT	1-1/2" MNPT

Dimensions are subject to change without notice – consult factory for installation information

### PERFORMANCE CURVES



RC03, RX05, RX07, RX10, RX15, RX20, RX30, RX50



RC03, RX05, RX07, RX10, RX15, RX20, RX30, RX50



Hayward is a registered trademark of Hayward Industries, Inc. © 2021 Hayward Industries, Inc.

USA: 1.888.429.4635 • Fax: 1.888.778.8410 • One Hayward Industrial Drive • Clemmons, NC 27012 • Email: hfcsales@hayward.com  
 Canada: 1.888.238.7665 • Fax: 1.905.829.3636 • 2880 Plymouth Drive • Oakville, ON L6H 5R4 • Email: hfcanada@hayward.com  
 Visit us at: haywardflowcontrol.com